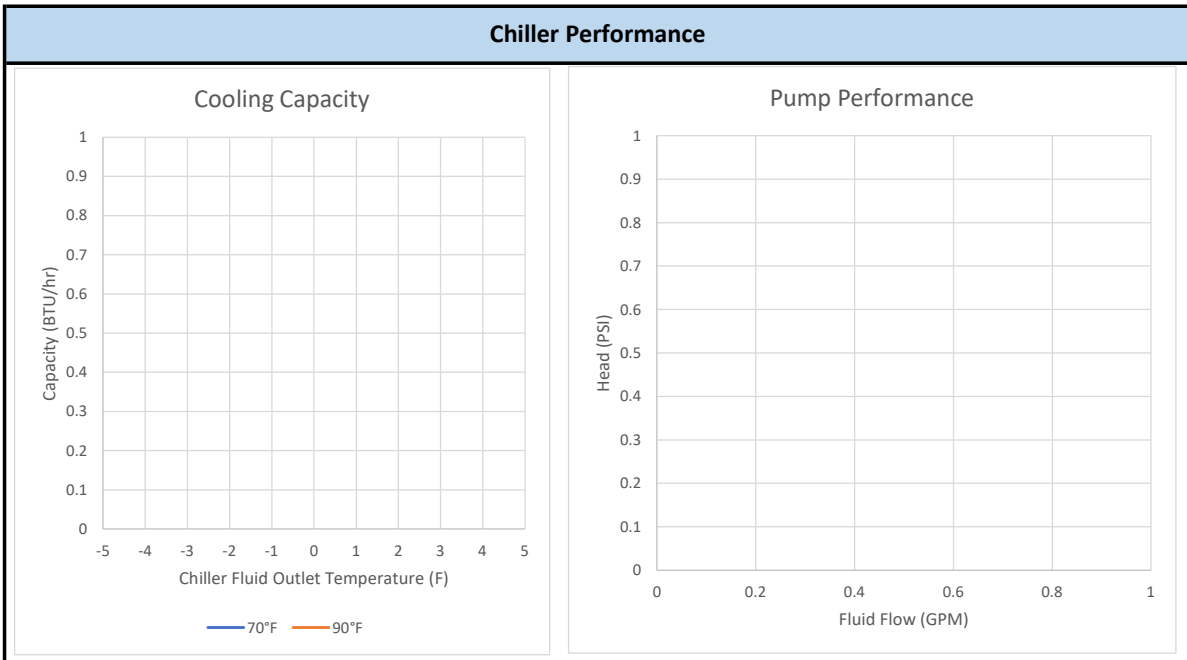
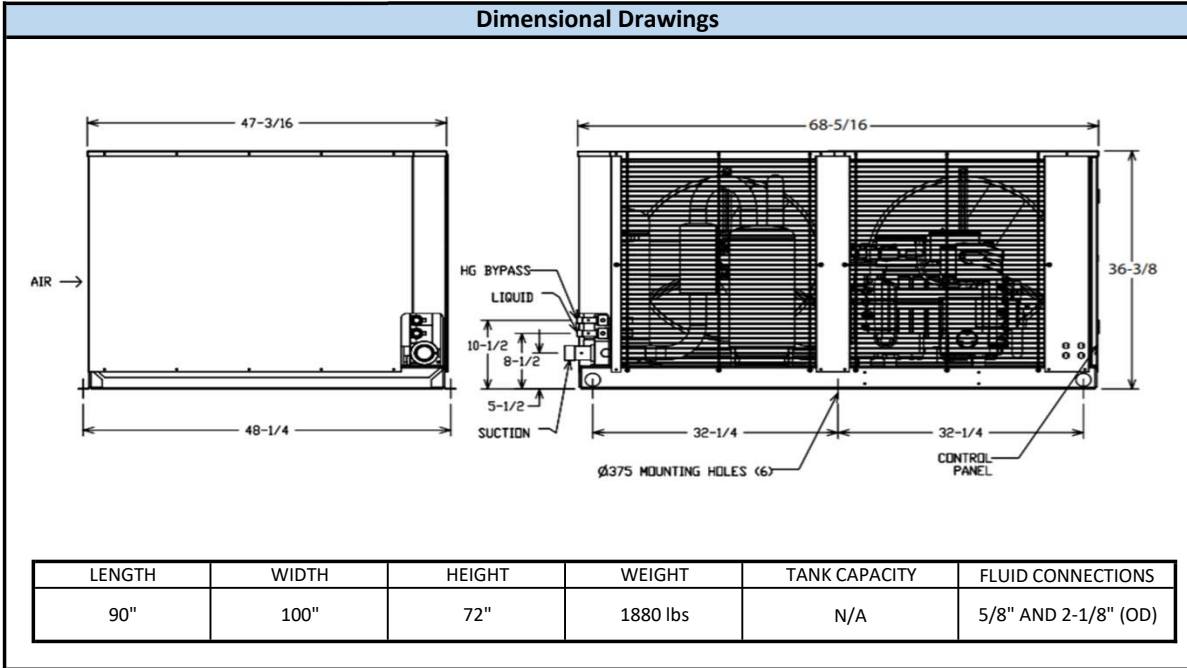




AG-CHILL

NSC10000-ECU

10 Ton External Condensing Unit (Qty 2 NSC5000-ECU in Parallel)



AG-Optimists, LLC
 3130 South 1030 West, Suite 1
 Salt Lake City, UT 84119
 (541) 610-6858
www.ag-chill.com

All Information Is For Reference Only





NSC10000-ECU

Standard Features and Benefits			
Performance	Working Temperature Range	N/A	
	Temperature Stability	N/A	
	Cooling Capacity at 70F		
	Ambient Temperature (Standard)	20°F - 100°F	
	Pump Performance		
User Interface	Controls	High and Low Pressure Switch	
	Additional Features	N/A	
Refrigeration Circuit	Compressor	Copeland Discus	
	Heat Exchanger	N/A	
	Refrigerant	R404A	
	Additional Features	Access Ports, Service Valves, Liquid Receiver, Sight Glass, Oil Separator	
	Max Heat Rejection	280,000 BTU/hr (82.0 kW)	
Process Fluid Circuit	Pump		
	Inlet/Outlet	5/8" AND 2-1/8" (OD)	
	Reservoir	N/A	
	Additional Features	N/A	
Construction	Frame	Galvanized Steel	
	Enclosure	Painted Steel Enclosure with Easy Access Panels	
Quality	Warranty	1 Year Standard Warranty	
	UL/CSA Certified (Full Assembly)	Certified for Outdoor Use cULus	
	Manufacturing	Manufactured in the U.S.A.	
Power	Available Voltages	Max Amps (FLA)	Recommended Breaker/Service (MCA)
	480VAC / 3P / 60Hz (STANDARD)	54.6 Amps (std)	68.4 Amps (std)

Optional Upgrades	
UPGRADES	Extended Ambient (-15°F)
More Options and Customization Available - Contact Factory for More Information	

AG-Optimists, LLC
 3130 South 1030 West, Suite 1
 Salt Lake City, UT 84119
 (541) 610-6858
www.ag-chill.com

All Information Is For Reference Only

