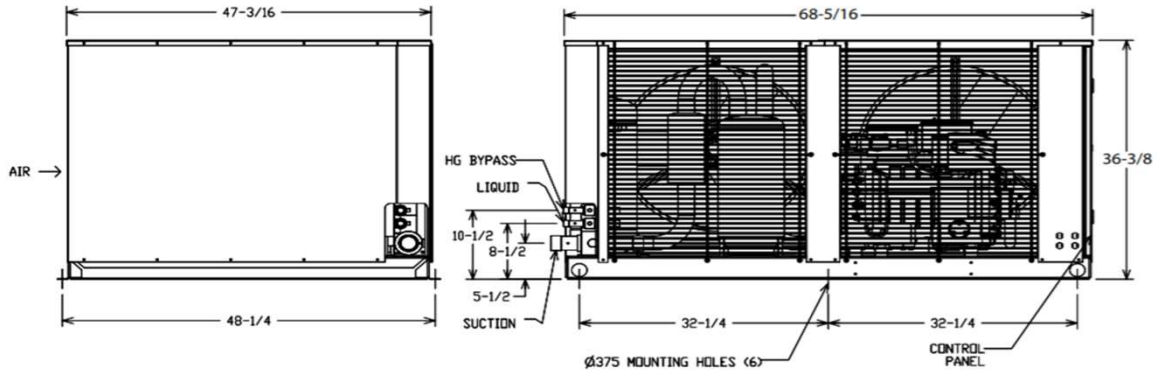




# AG5000-ECU

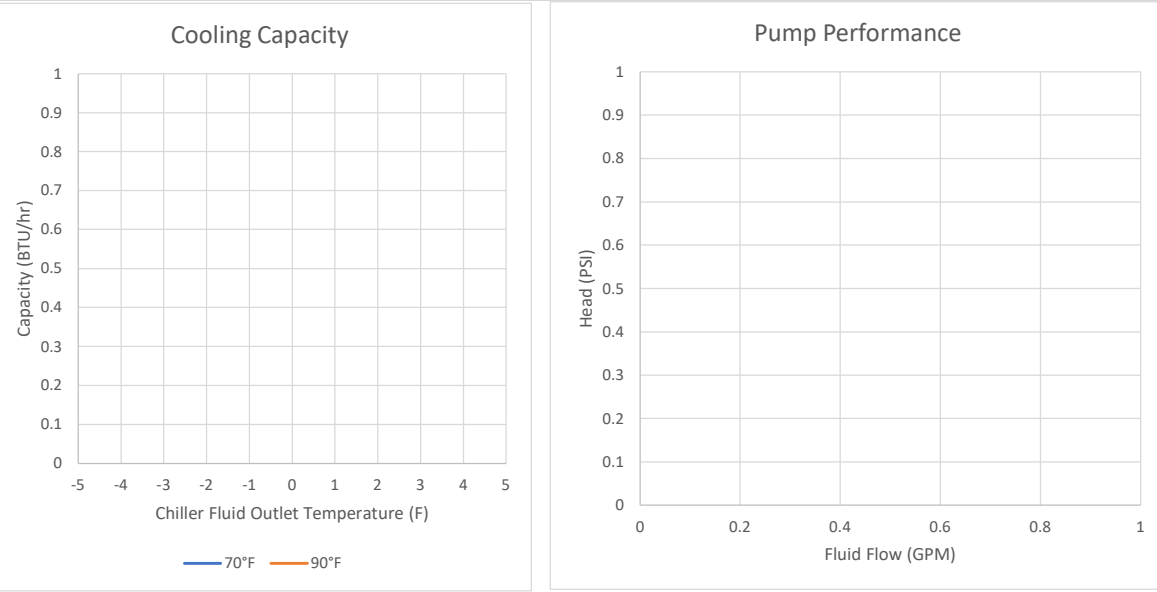
5 Ton External Condensing Unit

## Dimensional Drawings



DEPTH	WIDTH	HEIGHT	WEIGHT	TANK CAPACITY	FLUID CONNECTIONS
48 1/4"	68 5/16"	36 3/8"	1080 lbs	N/A	5/8" AND 1-3/8" (OD)

## Chiller Performance



**AG-Optimists, LLC**  
 3130 South 1030 West, Suite 1  
 Salt Lake City, UT 84119  
 (801) 244-9769  
[www.ag-optimists.com](http://www.ag-optimists.com)

All Information Is For Reference Only





# AG5000-ECU

Standard Features and Benefits			
<b>Performance</b>	Working Temperature Range	N/A	
	Temperature Stability	N/A	
	Cooling Capacity at 70F		
	Ambient Temperature (Standard)	20°F - 100°F	
	Pump Performance		
<b>User Interface</b>	Controls	High and Low Pressure Switch	
	Additional Features	N/A	
<b>Refrigeration Circuit</b>	Compressor	Copeland Discus	
	Heat Exchanger	N/A	
	Refrigerant	R404A	
	Additional Features	Access Ports, Service Valves, Liquid Receiver, Sight Glass, Oil Separator	
	Max Heat Rejection	195,000 BTU/hr (57.1 kW)	
<b>Process Fluid Circuit</b>	Pump		
	Inlet/Outlet	5/8" AND 1-3/8" (OD)	
	Reservoir	N/A	
	Additional Features	N/A	
<b>Construction</b>	Frame	Galvanized Steel	
	Enclosure	Painted Steel Enclosure with Easy Access Panels	
<b>Quality</b>	Warranty	1 Year Standard Warranty	
	UL/CSA Certified (Full Assembly)	Certified for Outdoor Use cULus	
	Manufacturing	Manufactured in the U.S.A.	
<b>Power</b>	Available Voltages	Max Amps (FLA)	Recommended Breaker/Service (MCA)
	480VAC / 3P / 60Hz (STANDARD)	27.3 Amps (std)	34.2 Amps (std)

Optional Upgrades	
<b>UPGRADES</b>	Extended Ambient (-15°F)
<b>More Options and Customization Available - Contact Factory for More Information</b>	

AG-Optimists, LLC  
 3130 South 1030 West, Suite 1  
 Salt Lake City, UT 84119  
 (801) 244-9769  
[www.ag-optimists.com](http://www.ag-optimists.com)

All Information Is For Reference Only

