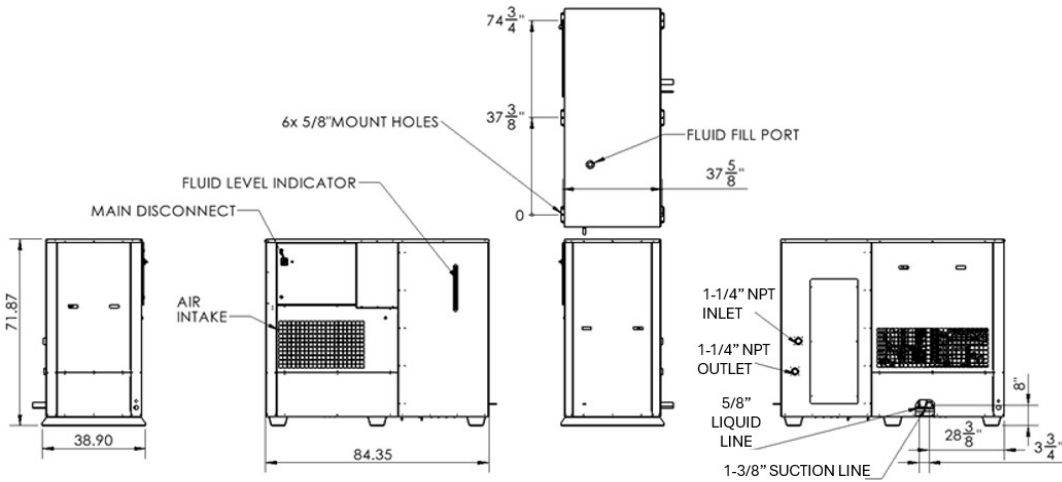




# AG10000-ULT

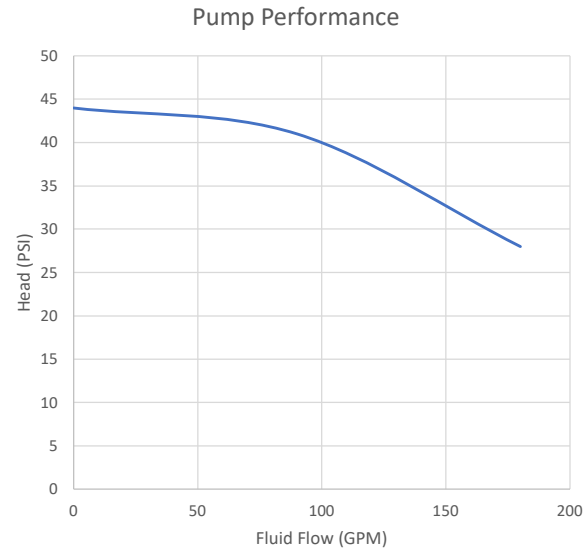
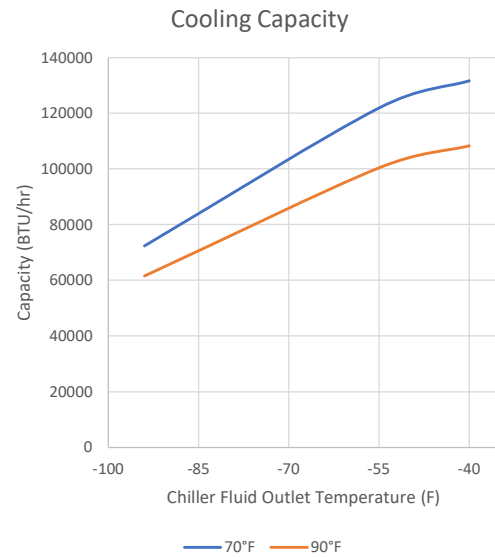
10 Ton Air Cooled Ultra Low Temp Chiller (Qty 2 AG5000-ULT)

## Dimensional Drawings



DEPTH	WIDTH	HEIGHT	WEIGHT	TANK CAPACITY	FLUID CONNECTIONS
38.9"	84.35"	74 3/4"	3930 lbs	50 Gallon Stainless Steel	1-1/2" NPT

## Chiller Performance



AG-Optimists, LLC  
 3130 South 1030 West, Suite 1  
 Salt Lake City, UT 84119  
 (801) 244-9769  
[www.ag-optimists.com](http://www.ag-optimists.com)

All Information Is For Reference Only





# AG10000-ULT

Standard Features and Benefits		
<b>Performance</b>	Working Temperature Range	-112°F(-80°C) to 70°F(21°C)
	Temperature Stability	±2
	Cooling Capacity at 70F	-94°F (-70°C) - 72,400 BTU/hr (21,220 Watts) -55°F (-48.3°C) - 121,900 BTU/hr (35,730 Watts) -40°F (-40°C) - 131,700 BTU/hr (38,600 Watts)
	Ambient Temperature (Standard)	40°F - 100°F
	Pump Performance	0 GPM @ 44 PSI 90 GPM @ 41 PSI 180 GPM @ 28 PSI
<b>User Interface</b>	Controls	Electronic Programmed Temperature Controller (PLC) with Constant (Setpoint & Process) Temperature Readout
	Additional Features	Fluid Level Indicator, Touch Screen Controls
<b>Refrigeration Circuit</b>	Compressor	Copeland Discus
	Heat Exchanger	Braze Plate Heat Exchanger
	Refrigerant	R508B
	Additional Features	Access Ports, Service Valves, Filter Drier, Sight Glass, Liquid Receiver, Thermostatic Expansion Valve (TXV), Oil Separator
	Max Heat Rejection	80,000 BTU/hr (23.4 kW)
<b>Process Fluid Circuit</b>	Pump	Continuous Duty, 10 HP Centrifugal Pump
	Inlet/Outlet	1-1/2" NPT
	Reservoir	50 Gallon Stainless Steel
	Additional Features	Inline Strainer, Inlet and Outlet Temperature Sensors, Pump Discharge Pressure Transducer
<b>Construction</b>	Frame	Galvanized Steel
	Enclosure	Powder Coated Steel Enclosure with Easy Access Panels
<b>Quality</b>	Warranty	1 Year Standard Warranty
	UL/CSA Certified (Full Assembly)	Certified for Outdoor Use ETL 3170655, UL STD 61010-2-011, CAN/CSA STD, C22.2 No. 61010-2-011
	Manufacturing	Manufactured in the U.S.A. Certified ISO 9001:2015 Company
<b>Power</b>	Available Voltages	Max Amps (FLA) Recommended Breaker/Service (MCA)
	480VAC / 3P / 60Hz (STANDARD)	53.4 Amps (std) 62.8 Amps (std)

Optional Upgrades	
<b>UPGRADES</b>	Process Heating UL/CSA Outdoor Certified Extended Ambient (-15°F)
	External Temperature Monitoring Alternate Pumps
	Crating
<b>More Options and Customization Available - Contact Factory for More Information</b>	

**AG-Optimists, LLC**  
 3130 South 1030 West, Suite 1  
 Salt Lake City, UT 84119  
 (801) 244-9769  
[www.ag-optimists.com](http://www.ag-optimists.com)

All Information Is For Reference Only

