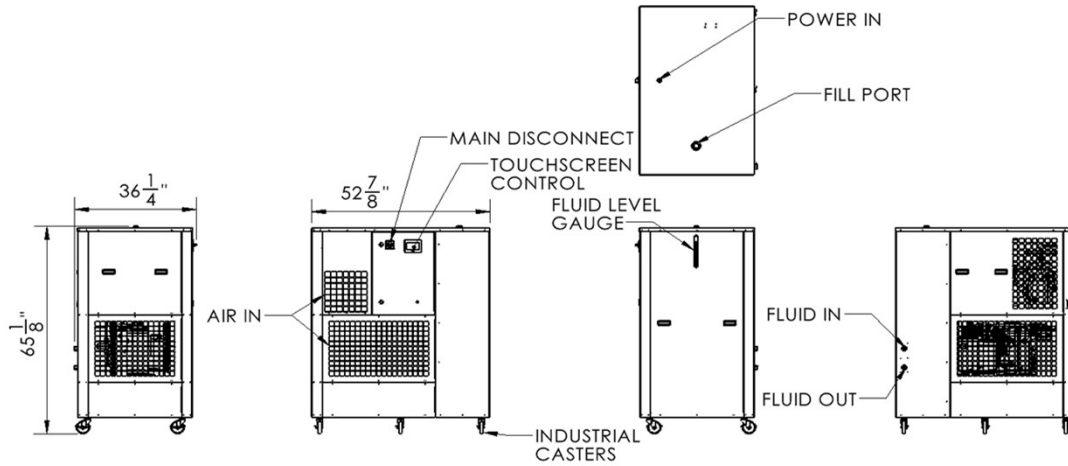




AG1000-ULT

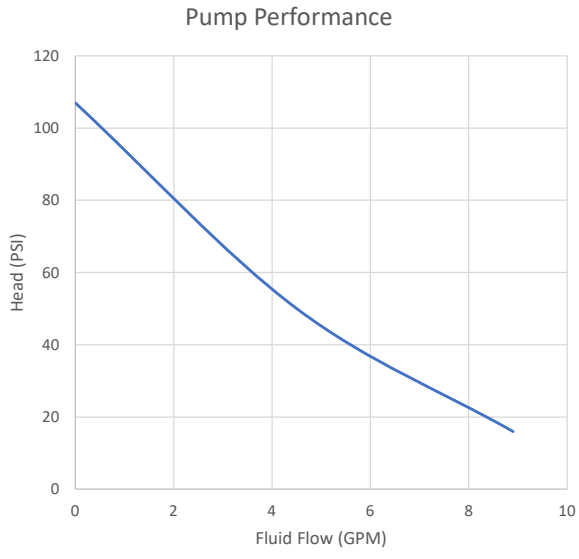
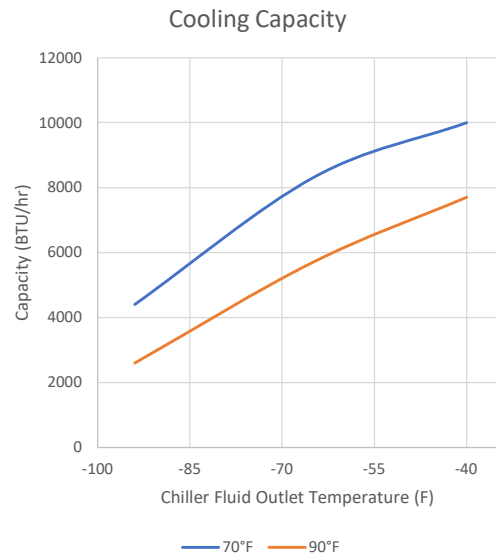
1 Ton Air Cooled Ultra Low Temp Chiller

Dimensional Drawings



DEPTH	WIDTH	HEIGHT	WEIGHT	TANK CAPACITY	FLUID CONNECTIONS
36 1/4"	52 7/8"	65 1/8"	1150 lbs	5 Gallon Stainless Steel	1/2" NPT

Chiller Performance



AG-Optimists, LLC
 3130 South 1030 West, Suite 1
 Salt Lake City, UT 84119
 (801) 244-9769
www.ag-optimists.com

All Information Is For Reference Only





AG1000-ULT

Standard Features and Benefits		
Performance	Working Temperature Range	-112°F(-80°C) to 70°F(21°C)
	Temperature Stability	±2
	Cooling Capacity at 70F	-94°F (-70°C) - 4,400 BTU/hr (1,290 Watts) -65°F (-53.9°C) - 8,300 BTU/hr (2,430 Watts) -40°F (-40°C) - 10,000 BTU/hr (2,930 Watts)
	Ambient Temperature (Standard)	40°F - 100°F
	Pump Performance	0 GPM @ 107 PSI 4.5 GPM @ 50 PSI 8.9 GPM @ 16 PSI
User Interface	Controls	Electronic Programmed Temperature Controller (PLC) with Constant (Setpoint & Process) Temperature Readout
	Additional Features	Fluid Level Indicator, Touch Screen Controls, IO Remote Chiller Control System
Refrigeration Circuit	Compressor	Copeland Scroll
	Heat Exchanger	Brazed Plate Heat Exchanger
	Refrigerant	R404a/R508b
	Additional Features	Access Ports, Service Valves, Filter Drier, Sight Glass, Liquid Receiver, Thermostatic Expansion Valve (TXV), Fan Cycling, Oil Separator
	Max Heat Rejection	31,450 BTU/hr (9.2 kW)
Process Fluid Circuit	Pump	Continuous Duty, 0.75kW Vortex Pump
	Inlet/Outlet	1/2" NPT
	Reservoir	5 Gallon Stainless Steel
	Additional Features	Inline Strainer, Inlet and Outlet Temperature Sensors, Pump Discharge Pressure Transducer
Construction	Frame	Galvanized Steel
	Enclosure	Powder Coated Steel Enclosure with Easy Access Panels
Quality	Warranty	1 Year Standard Warranty
	UL/CSA Certified (Full Assembly)	ETL 3170655, UL STD 61010-2-011, CAN/CSA STD, C22.2 No. 61010-2-011
	Manufacturing	Manufactured in the U.S.A. Certified ISO 9001:2015 Company
Power	Available Voltages	Max Amps (FLA) Recommended Breaker/Service (MCA)
	208-240VAC / 3P / 60Hz (STANDARD) 480VAC / 3P / 60Hz	25 Amps (std) 30 Amps (std)

Optional Upgrades	
UPGRADES	Process Heating UL/CSA Outdoor Certified Extended Ambient (-15°F)
	External Temperature Monitoring Alternate Pumps
	Crating
More Options and Customization Available - Contact Factory for More Information	

AG-Optimists, LLC
 3130 South 1030 West, Suite 1
 Salt Lake City, UT 84119
 (801) 244-9769
www.ag-optimists.com

All Information Is For Reference Only

