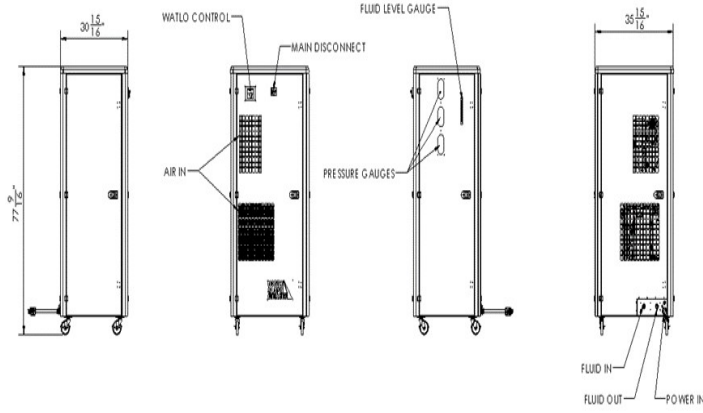




# AG0500-ULT

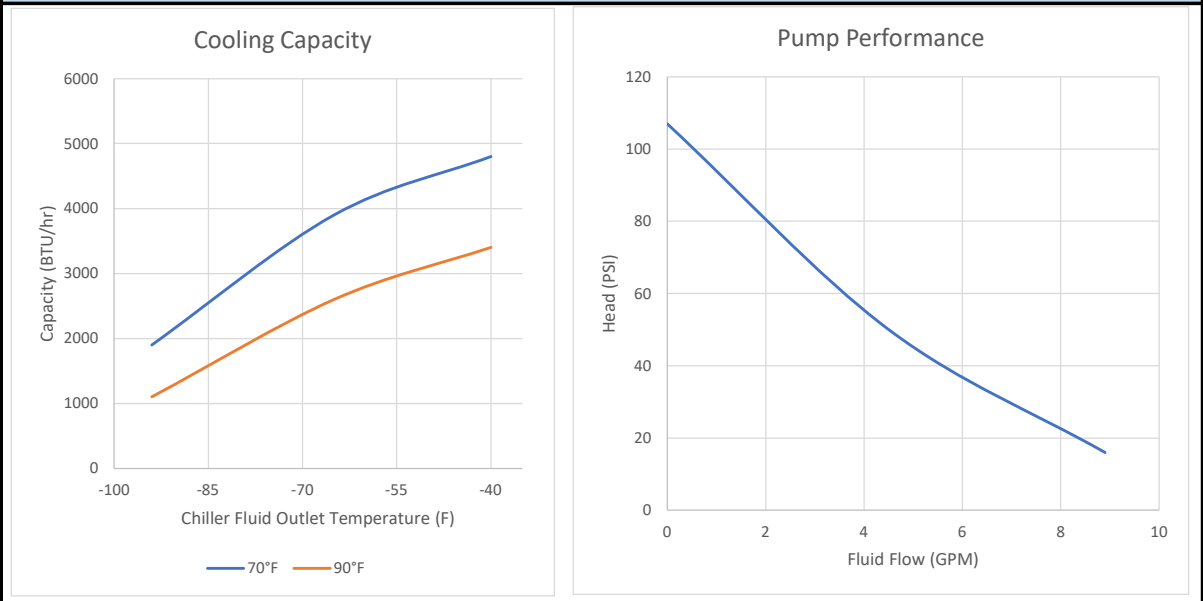
**1/2 Ton Air Cooled Ultra Low Temp Chiller**

## Dimensional Drawings



DEPTH	WIDTH	HEIGHT	WEIGHT	TANK CAPACITY	FLUID CONNECTIONS
30 15/16"	35 15/16"	77 9/16"	1100 lbs	5 Gallon Stainless Steel	1/2" NPT

## Chiller Performance



**AG-Optimists, LLC**  
 3130 South 1030 West, Suite 1  
 Salt Lake City, UT 84119  
 (801) 244-9769  
[www.ag-optimists.com](http://www.ag-optimists.com)

All Information Is For Reference Only





# AG0500-ULT

Standard Features and Benefits		
<b>Performance</b>	Working Temperature Range	-112°F(-80°C) to 70°F(21°C)
	Temperature Stability	±2
	Cooling Capacity at 70F	-94°F (-70°C) - 1,900 BTU/hr (560 Watts) -65°F (-53.9°C) - 3,900 BTU/hr (1,140 Watts) -40°F (-40°C) - 4,800 BTU/hr (1,410 Watts)
	Ambient Temperature (Standard)	40°F - 100°F
	Pump Performance	0 GPM @ 107 PSI 4.5 GPM @ 50 PSI 8.9 GPM @ 16 PSI
<b>User Interface</b>	Controls	Electronic Programmed Temperature Controller (PLC) with Constant (Setpoint & Process) Temperature Readout
	Additional Features	Fluid Level Indicator, Touch Screen Controls
<b>Refrigeration Circuit</b>	Compressor	Copeland Scroll
	Heat Exchanger	Brazed Plate Heat Exchanger
	Refrigerant	R404a/R508b
	Additional Features	Access Ports, Service Valves, Filter Drier, Sight Glass, Liquid Receiver, Thermostatic Expansion Valve (TXV), Oil Separator
	Max Heat Rejection	19,500 BTU/hr (5.7 kW)
<b>Process Fluid Circuit</b>	Pump	Continuous Duty, 0.75kW Vortex Pump
	Inlet/Outlet	1/2" NPT
	Reservoir	5 Gallon Stainless Steel
	Additional Features	Inline Strainer, Inlet and Outlet Temperature Sensors, Pump Discharge Pressure Transducer
<b>Construction</b>	Frame	Galvanized Steel
	Enclosure	Powder Coated Steel Enclosure with Easy Access Panels
<b>Quality</b>	Warranty	1 Year Standard Warranty
	UL/CSA Certified (Full Assembly)	ETL 3170655, UL STD 61010-2-011, CAN/CSA STD, C22.2 No. 61010-2-011
	Manufacturing	Manufactured in the U.S.A. Certified ISO 9001:2015 Company
<b>Power</b>	Available Voltages	Max Amps (FLA) Recommended Breaker/Service (MCA)
	208-240VAC / 3P / 60Hz (STANDARD) 208-240VAC / 1P / 60Hz 480VAC / 3P / 60Hz	16 Amps (std) 20 Amps (std)

Optional Upgrades		
<b>UPGRADES</b>	Process Heating UL/CSA Outdoor Certified Extended Ambient (-15°F)	External Temperature Monitoring Alternate Pumps
		Controller Crating
<b>More Options and Customization Available - Contact Factory for More Information</b>		

**AG-Optimists, LLC**  
 3130 South 1030 West, Suite 1  
 Salt Lake City, UT 84119  
 (801) 244-9769  
[www.ag-optimists.com](http://www.ag-optimists.com)

All Information Is For Reference Only

