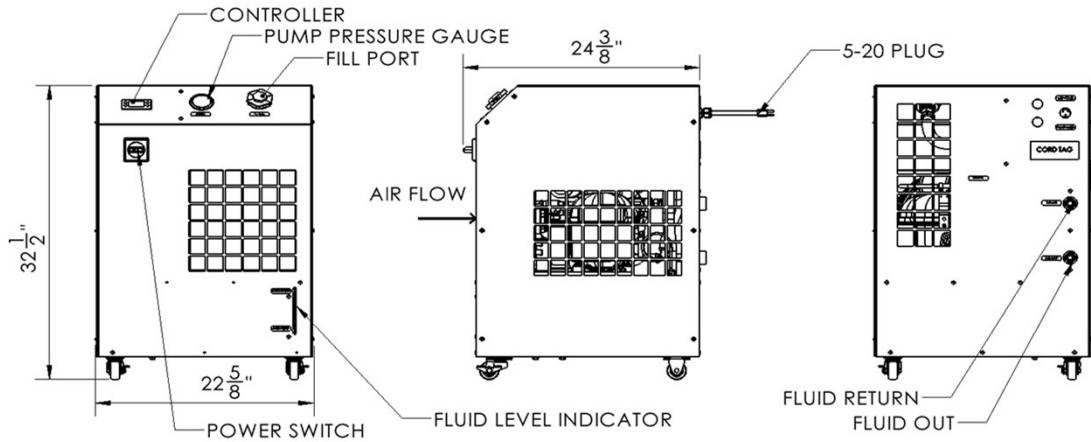




AG0500-LT

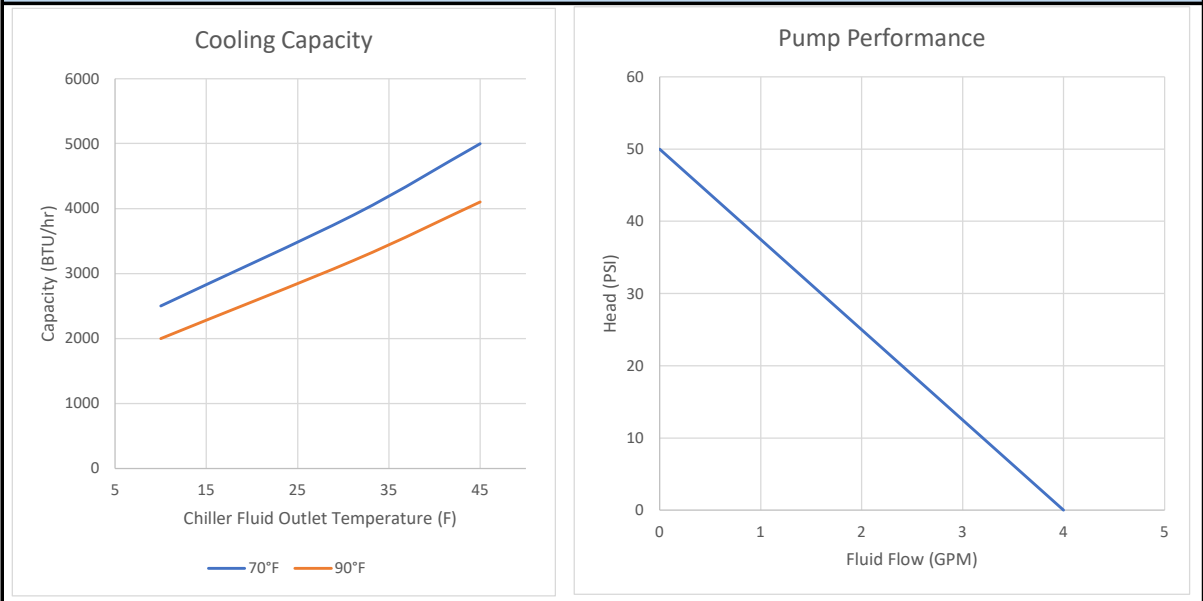
1/2 Ton Air Cooled Deep Freeze Chiller

Dimensional Drawings



DEPTH	WIDTH	HEIGHT	WEIGHT	TANK CAPACITY	FLUID CONNECTIONS
24 3/8"	22 5/8"	32 1/2"	220 lbs	4 Gallon Poly Tank	1/2" NPT

Chiller Performance



AG-Optimists, LLC
 3130 South 1030 West, Suite 1
 Salt Lake City, UT 84119
 (801) 244-9769
www.ag-optimists.com

All Information Is For Reference Only





AG0500-LT

Standard Features and Benefits		
Performance	Working Temperature Range	10°F(-12°C) to 45°F(7°C)
	Temperature Stability	±2
	Cooling Capacity at 70F	10°F (-12.2°C) - 2,500 BTU/hr (730 Watts) 31.1°F (-0.5°C) - 3,900 BTU/hr (1,140 Watts) 45°F (7.2°C) - 5,000 BTU/hr (1,470 Watts)
	Ambient Temperature (Standard)	40°F - 100°F
	Pump Performance	0 GPM @ 50 PSI 2 GPM @ 25 PSI 4 GPM @ 0 PSI
User Interface	Controls	Electronic Programmed Temperature Controller with Constant (Setpoint & Process) Temperature Readout
	Additional Features	Fluid Level Indicator, Pump Pressure Gauge
Refrigeration Circuit	Compressor	Copeland Reciprocating
	Heat Exchanger	Braze Plate Heat Exchanger
	Refrigerant	R404a
	Additional Features	Access Ports, Service Valves, Filter Drier, Sight Glass, Thermostatic Expansion Valve (TXV)
	Max Heat Rejection	8,300 BTU/hr (2.4 kW)
Process Fluid Circuit	Pump	Continuous Duty, 1/3 HP Fixed Displacement Pump With Bypass
	Inlet/Outlet	1/2" NPT
	Reservoir	4 Gallon Poly Tank
	Additional Features	Inline Strainer, Process Fluid Temperature Sensor, Pump Discharge Pressure Gauge
Construction	Frame	Galvanized Steel
	Enclosure	Powder Coated Steel Enclosure with Easy Access Panels
Quality	Warranty	1 Year Standard Warranty
	UL/CSA Certified (Full Assembly)	ETL 3170655, UL STD 1994, CAN/CSA STD, C22.2 No. 236
	Manufacturing	Manufactured in the U.S.A. Certified ISO 9001:2015 Company
Power	Available Voltages	Max Amps (FLA) Recommended Breaker/Service (MCA)
	120VAC /1P /60Hz (STANDARD)	16.1 Amps (std) 19.3 Amps (std)

Optional Upgrades		
UPGRADES	Anti-Backflow Process Heating Pass-through	External Temperature Monitoring Alternate Pumps Extended Ambient (-15°F)
	Controllers UL/CSA for Outdoor Use	
More Options and Customization Available - Contact Factory for More Information		

AG-Optimists, LLC
 3130 South 1030 West, Suite 1
 Salt Lake City, UT 84119
 (801) 244-9769
www.ag-optimists.com

All Information Is For Reference Only

