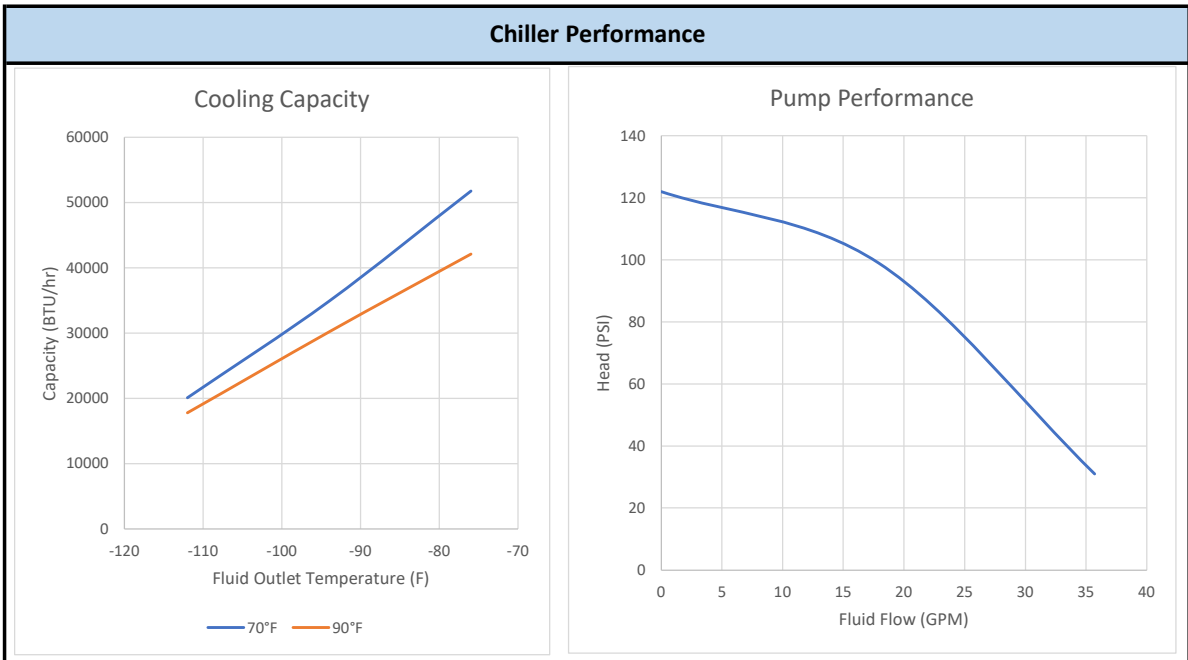
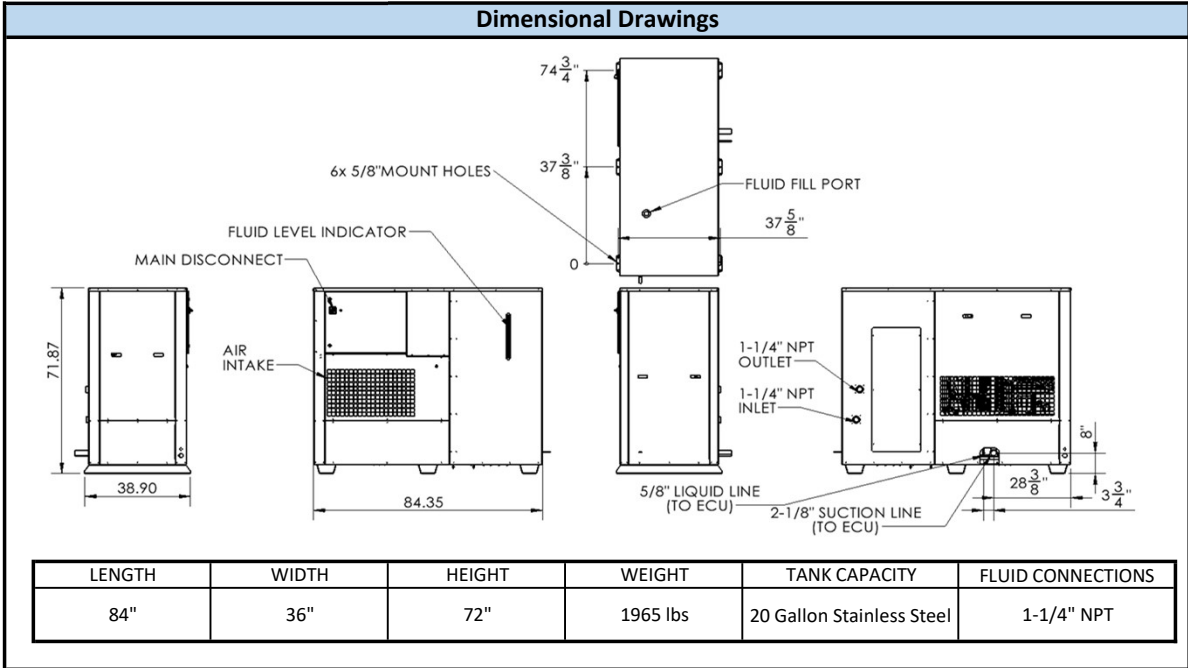




NSC5000-ULT

5 Ton Air Cooled Ultra Low Temp Chiller



AG-Optimists, LLC
 2400 E 6895 S, Suite 16
 Cottonwood Heights, UT 84121
 (541) 610-6858
www.ag-chill.com

All Information Is For Reference Only





NSC5000-ULT

Standard Features and Benefits			
Performance	Working Temperature Range	-112°F(-80°C) to 70°F(21°C)	
	Temperature Stability	±2	
	Cooling Capacity @ 70°F	-112°F (-80°C) - 20,100 BTU/hr (5,890 Watts) -94°F (-70°C) - 34,900 BTU/hr (10,230 Watts) -76°F (-60°C) - 51,800 BTU/hr (15,180 Watts)	
	Ambient Temperature (Standard)	20°F - 110°F	
	Pump Performance	0 GPM @ 122 PSI 17.9 GPM @ 99 PSI 35.7 GPM @ 31 PSI	
User Interface	Controls	Electronic Programmed Temperature Controller (PLC) with Constant (Setpoint & Process) Temperature Readout	
	Additional Features	Fluid Level Indicator, Touch Screen Controls	
Refrigeration Circuit	Compressor	Copeland Discus	
	Heat Exchanger	Braze Plate Heat Exchanger	
	Refrigerant	R508B	
	Additional Features	Access Ports, Service Valves, Filter Drier, Sight Glass, Liquid Receiver, Thermostatic Expansion Valve (TXV), Oil Separator	
	Max Heat Rejection	40,000 btu/hr (11.7 kW)	
Process Fluid Circuit	Pump	Continuous Duty, 3.75kW Vortex Pump	
	Inlet/Outlet	1-1/4" NPT	
	Reservoir	20 Gallon Stainless Steel	
	Additional Features	Inline Strainer, Inlet and Outlet Temperature Sensors, Pump Discharge Pressure Transducer	
Construction	Frame	Galvanized Steel	
	Enclosure	Powder Coated Steel Enclosure with Easy Access Panels	
Quality	Warranty	1 Year Standard Warranty	
	UL/CSA Certified (Full Assembly)	Certified for Outdoor Use ETL 3170655, UL STD 61010-2-011, CAN/CSA STD, C22.2 No. 61010-2-011	
	Manufacturing	Manufactured in the U.S.A. Certified ISO 9001:2015 Company	
Power	Available Voltages	Max Amps (FLA)	Recommended Breaker/Service (MCA)
	480VAC / 3P / 60Hz (STANDARD)	26.7 Amps (std)	31.4 Amps (std)

Optional Upgrades			
UPGRADES	Process Heating UL/CSA Outdoor Certified Extended Ambient (-15°F)	External Temperature Monitoring Alternate Pumps	Controller Auto Start Remote Start Crating
	More Options and Customization Available - Contact Factory for More Information		

AG-Optimists, LLC
 2400 E 6895 S, Suite 16
 Cottonwood Heights, UT 84121
 (541) 610-6858
www.ag-chill.com

All Information Is For Reference Only

