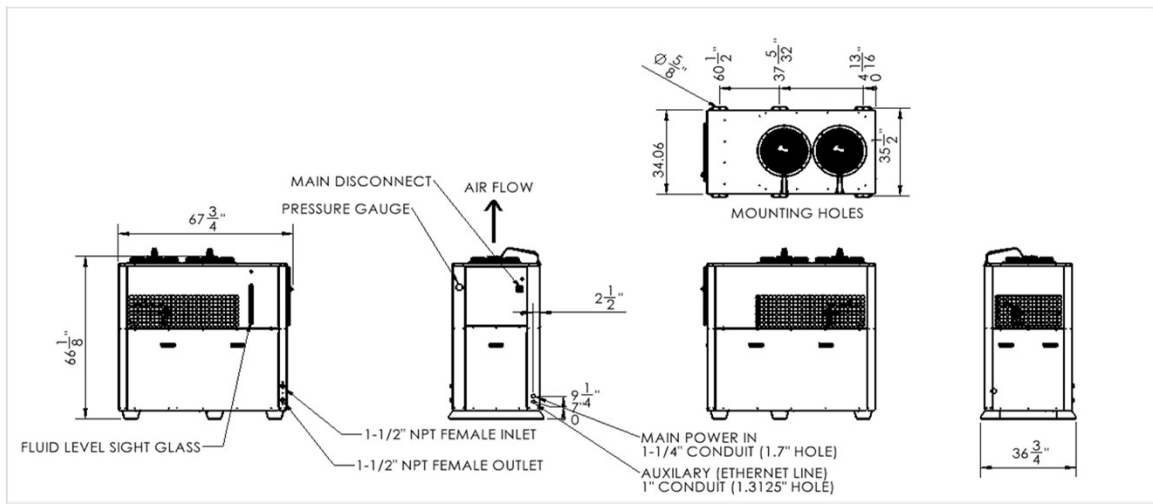




# NSC2000-SLTH-5kW

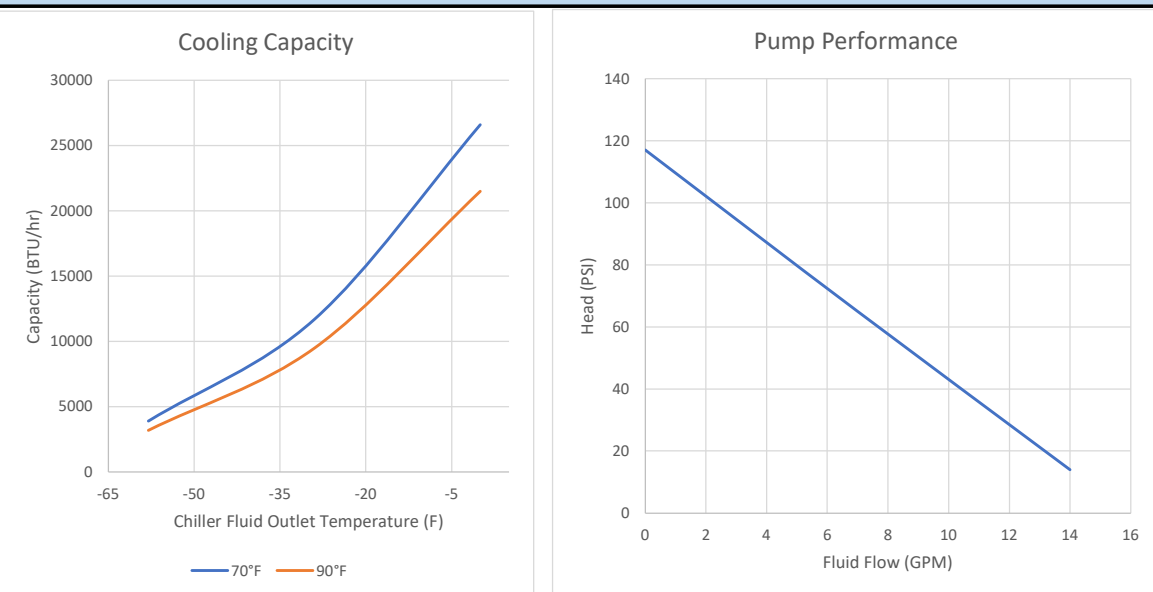
2 Ton Air Cooled Super Low Temp Chiller w/5 kW Heater

## Dimensional Drawings



LENGTH	WIDTH	HEIGHT	WEIGHT	TANK CAPACITY	FLUID CONNECTIONS
36 1/2"	67"	62 1/2"	1000 lbs	75 Gallon Stainless Steel	3/4" NPT

## Chiller Performance



**AG-Optimists, LLC**  
 3130 South 1030 West, Suite 1  
 Salt Lake City, UT 84119  
 (541) 610-6858  
[www.ag-chill.com](http://www.ag-chill.com)

All Information Is For Reference Only





# NSC2000-SLTH-5kW

Standard Features and Benefits			
<b>Performance</b>	Working Temperature Range	-58°F(-50°C) to 338°F(170°C)	
	Temperature Stability	±2	
	Cooling Capacity at 70F	-58°F (-50°C) - 3,900 BTU/hr (1,140 Watts) -29°F (-33.9°C) - 11,700 BTU/hr (3,430 Watts) 0°F (-17.8°C) - 26,600 BTU/hr (7,800 Watts)	
	Ambient Temperature (Standard)	20°F - 100°F	
	Pump Performance	0 GPM @ 117 PSI 7 GPM @ 65 PSI 14 GPM @ 14 PSI	
<b>User Interface</b>	Controls	Electronic Programmed Temperature Controller with Constant (Setpoint & Process) Temperature Readout	
	Additional Features	Fluid Level Indicator	
<b>Refrigeration Circuit</b>	Compressor	Bitzer 2 Stage Reciprocating	
	Heat Exchanger	Braze Plate Heat Exchanger	
	Refrigerant	R404a	
	Additional Features	Access Ports, Service Valves, Filter Drier, Sight Glass, Liquid Receiver, Suction Accumulator, Thermostatic Expansion Valve (TXV)	
	Max Heat Rejection	58,100 BTU/hr (17.0 kW)	
<b>Process Fluid Circuit</b>	Pump	Continuous Duty, 2.2kW Vortex Pump	
	Inlet/Outlet	3/4" NPT	
	Reservoir	75 Gallon Stainless Steel	
	Additional Features	Inline Strainer, Inlet and Outlet Temperature Sensors, Pump Discharge Pressure Transducer, 5 kW Heater	
<b>Construction</b>	Frame	Galvanized Steel	
	Enclosure	Powder Coated Steel Enclosure with Easy Access Panels	
<b>Quality</b>	Warranty	1 Year Standard Warranty	
	UL/CSA Certified (Full Assembly)	ETL 3170655, UL STD 61010-2-011, CAN/CSA STD, C22.2 No. 61010-2-011	
	Manufacturing	Manufactured in the U.S.A. Certified ISO 9001:2015 Company	
<b>Power</b>	Available Voltages	Max Amps (FLA)	Recommended Breaker/Service (MCA)
	480VAC / 3P / 60Hz (STANDARD)	24 Amps (std)	30 Amps (std)

Optional Upgrades			
<b>UPGRADES</b>	Crating	External Temperature Monitoring Alternate Pumps	Controller Auto Start Remote Start
<b>More Options and Customization Available - Contact Factory for More Information</b>			

**AG-Optimists, LLC**  
 3130 South 1030 West, Suite 1  
 Salt Lake City, UT 84119  
 (541) 610-6858  
[www.ag-chill.com](http://www.ag-chill.com)

All Information Is For Reference Only

