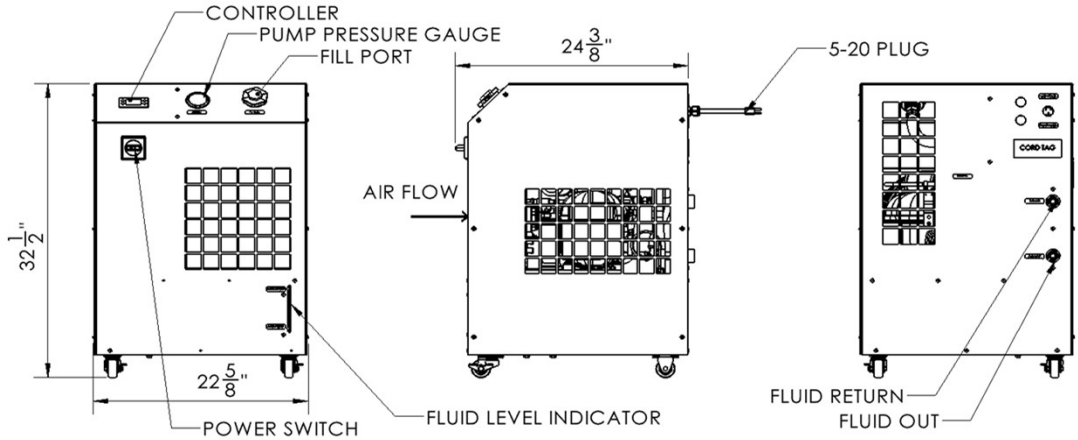




NSC0500-LT

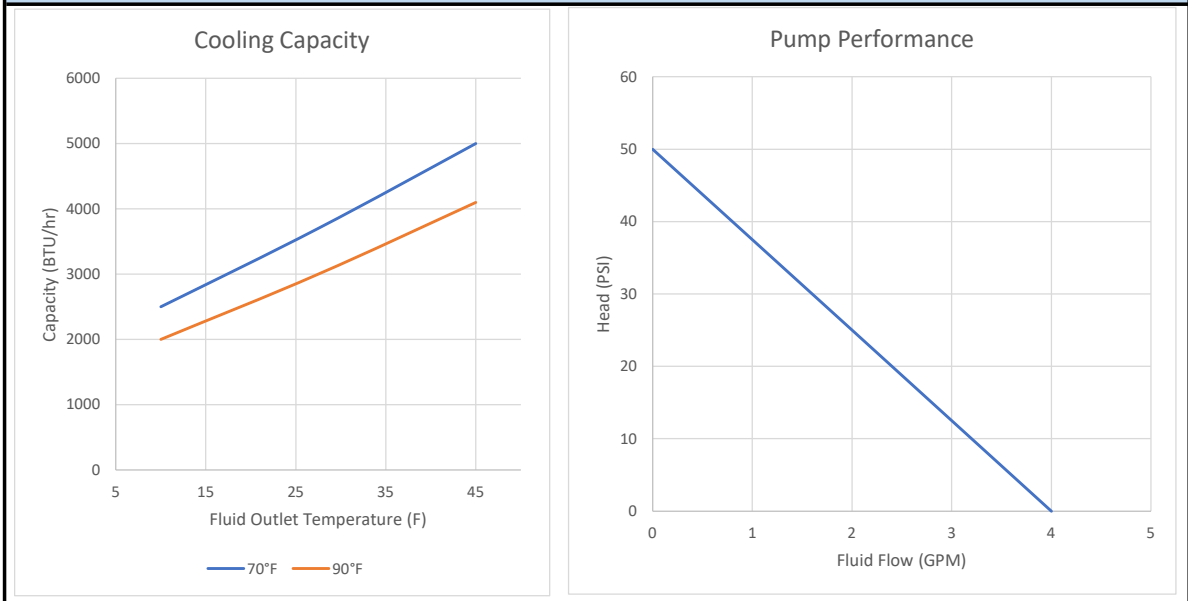
1/2 Ton Air Cooled Deep Freeze Chiller

Dimensional Drawings



LENGTH	WIDTH	HEIGHT	WEIGHT	TANK CAPACITY	FLUID CONNECTIONS
24 3/8"	22 5/8"	32 1/2"	220 lbs	4 Gallon Poly Tank	1/2" NPT

Chiller Performance



AG-Optimists, LLC
 2400 E 6895 S, Suite 16
 Cottonwood Heights, UT 84121
 (541) 610-6858
www.ag-chill.com

All Information Is For Reference Only





NSC0500-LT

Standard Features and Benefits			
Performance	Working Temperature Range	10°F(-12°C) to 45°F(7°C)	
	Temperature Stability	±2	
	Cooling Capacity @ 70°F	10°F (-12.2°C) - 2,500 BTU/hr (730 Watts) 27.5°F (-2.5°C) - 3,700 BTU/hr (1,080 Watts) 45°F (7.2°C) - 5,000 BTU/hr (1,470 Watts)	
	Ambient Temperature (Standard)	40°F - 100°F	
	Pump Performance	0 GPM @ 50 PSI 2 GPM @ 25 PSI 4 GPM @ 0 PSI	
User Interface	Controls	Electronic Programmed Temperature Controller with Constant (Setpoint & Process) Temperature Readout	
	Additional Features	Fluid Level Indicator, Pump Pressure Gauge	
Refrigeration Circuit	Compressor	Copeland Reciprocating	
	Heat Exchanger	Braze Plate Heat Exchanger	
	Refrigerant	R404a	
	Additional Features	Access Ports, Service Valves, Filter Drier, Sight Glass, Thermostatic Expansion Valve (TXV)	
	Max Heat Rejection	8,300 btu/hr (2.4 kW)	
Process Fluid Circuit	Pump	Continuous Duty, 1/3 HP Fixed Displacement Pump With Bypass	
	Inlet/Outlet	1/2" NPT	
	Reservoir	4 Gallon Poly Tank	
	Additional Features	Inline Strainer, Process Fluid Temperature Sensor, Pump Discharge Pressure Gauge	
Construction	Frame	Galvanized Steel	
	Enclosure	Powder Coated Steel Enclosure with Easy Access Panels	
Quality	Warranty	1 Year Standard Warranty	
	UL/CSA Certified (Full Assembly)	ETL 3170655, UL STD 1994, CAN/CSA STD, C22.2 No. 236	
	Manufacturing	Manufactured in the U.S.A. Certified ISO 9001:2015 Company	
Power	Available Voltages	Max Amps (FLA)	Recommended Breaker/Service (MCA)
	120VAC /1P /60Hz (STANDARD)	16.1 Amps (std)	19.3 Amps (std)

Optional Upgrades			
UPGRADES	Anti-Backflow Process Heating Pass-through	External Temperature Monitoring Alternate Pumps	Controllers
More Options and Customization Available - Contact Factory for More Information			

AG-Optimists, LLC
 2400 E 6895 S, Suite 16
 Cottonwood Heights, UT 84121
 (541) 610-6858
www.ag-chill.com

All Information Is For Reference Only

